

# Universal Fan Motors

The replacement motor for any fan



# Mf-Flex Universal Fan Motors

## The replacement motor for any fan

The Mf-Flex Universal Fan Motor is an extremely durable replacement motor for agricultural and industrial markets where reliability is key. Vostermans Ventilation products are worldwide well-known for their longevity in harsh environments and extreme reliability. Because of the standard NEMA mounting options, the fan motors are easily interchangeable. All Universal Fan Motors are based on the Totally Enclosed Air Over (TEAO) principle, and are developed and produced in the Netherlands. The 60Hz motors are UL Recognized.



### Why choose this motor:

- Suitable for use in harsh environments
- Extremely durable and reliable
- High energy efficiency
- Resistant to extreme corrosive environments
- Compatible and interchangeable with fans by standard NEMA measurements
- 3-year warranty

### Features:

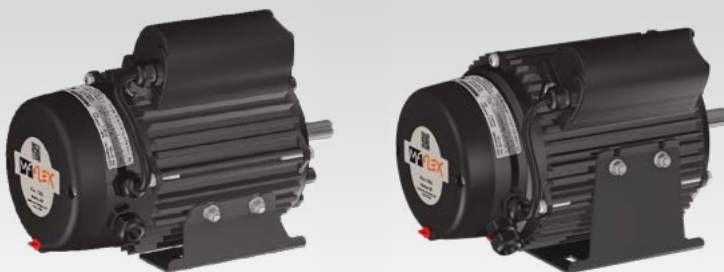
- UL Recognition for 60Hz versions
- Water and dust resistant (IP55)
- Insulation Class F
- Only for horizontal mounting (contact our Vostermans support team for vertical mounting possibilities)
- Applicable for belt-driven fans
- Totally Enclosed Air Over (TEAO) motors
- Motor measurements according to NEMA
- 3-phase motors are frequency controllable

### Optional available:

- Available in 50Hz and 60Hz
- Motor performance: 1, 1.5 and 2 HP
- Standard built-in thermal protection for 1-phase, optional for 3-phase
- Various mounting supports:  
NEMA frame 48C, 56C or 56C face mounted

### Applications:

- Agricultural: pigs, poultry and dairy
- Horticultural: greenhouse
- Industrial
- Belt drive and direct drive
- Exhaust and circulation fans



Mf-Flex Universal Fan Motors  
available with various mounting options



Mf-Flex Universal Fan Motors  
available in 1, 1.5 and 2 HP.



## Technical data

| Item   | Power supply |       |            | Amperage  | RPM  | P <sub>0</sub> (kW) | P <sub>0</sub> (HP) | Cos Phi | Service Factor | Service factor amperage |
|--------|--------------|-------|------------|-----------|------|---------------------|---------------------|---------|----------------|-------------------------|
| FM0380 | 1~           | 60 Hz | 208 - 230* | 4.9       | 1710 | 0.75                | 1                   | 0.92    | 1.15           | 5.4                     |
| FM0579 | 1~           | 60 Hz | 208 - 230* | 4.8       | 848  | 0.75                | 1                   | 0.99    | 1              | -                       |
| FM0379 | 1~           | 60 Hz | 208 - 230* | 6.3       | 1700 | 1.1                 | 1.5                 | 0.97    | 1.15           | 7.3                     |
| FM0376 | 1~           | 60 Hz | 208 - 230* | 8.7       | 1730 | 1.5                 | 2                   | 0.93    | 1.15           | 9.9                     |
| FM0443 | 3~           | 60 Hz | 230 / 460  | 3.1 / 1.8 | 1750 | 0.75                | 1                   | 0.72    | 1.15           | 3.3 / 1.9               |
| FM0384 | 3~           | 60 Hz | 230 / 460  | 4.5 / 2.6 | 1760 | 1.1                 | 1.5                 | 0.74    | 1.15           | 4.9 / 2.7               |
| FM0385 | 3~           | 60 Hz | 230 / 460  | 5.4 / 2.9 | 1740 | 1.5                 | 2                   | 0.81    | 1.15           | 6.1 / 3.3               |
| FM0440 | 1~           | 50 Hz | 230        | 5.5       | 1425 | 0.75                | 1                   | 0.87    | 1.15           | 5.9                     |
| FM0439 | 1~           | 50 Hz | 230        | 7.0       | 1425 | 1.1                 | 1.5                 | 0.91    | 1.15           | 7.8                     |
| FM0442 | 3~           | 50 Hz | 230 / 400  | 3.5 / 2.0 | 1455 | 0.75                | 1                   | 0.66    | 1.15           | 3.7 / 2.15              |
| FM0382 | 3~           | 50 Hz | 230 / 400  | 5.1 / 3.0 | 1465 | 1.1                 | 1.5                 | 0.66    | 1.15           | 5.5 / 3.2               |
| FM0383 | 3~           | 50 Hz | 230 / 400  | 5.9 / 3.5 | 1450 | 1.5                 | 2                   | 0.75    | 1.15           | 6.6 / 3.8               |

\* Motor rating valid for 230V. Applicable within voltage range of 208-230V.

Note: Motors can only be used for fan applications! Motors are totally enclosed air over (TEAO) and can only be applied in the airstream.

## Dimensions (inch)

| Item          | Frame type            | Figure | A09 | A34 | A35  | A36 | A37  | A38 | A39 | A40 | A43 | A46 | A53 | A54 | A55 | A56 | A57 | A58 | A59 | A60 | A61 | A62 | A63 | A64 | A65 |
|---------------|-----------------------|--------|-----|-----|------|-----|------|-----|-----|-----|-----|-----|-----|-----|-----|-----|-----|-----|-----|-----|-----|-----|-----|-----|-----|
| FM0380M6G0135 | NEMA 56C Face mounted | 1      | 0.4 |     | 12.3 | 0.6 | 10.1 | 7.0 | 5.6 | 2.4 | 0.2 | 2.2 | 7.4 | 7.4 |     |     | 1.4 |     |     |     |     | 2.2 | 2.0 | 5.9 |     |
| FM0380M6G0134 | NEMA 56C              | 2      |     | 7.1 | 12.3 | 0.6 | 9.8  |     | 5.6 | 2.4 | 0.2 | 2.5 | 6.4 | 9.1 | 6.7 | 6.7 | 5.4 | 1.0 | 3.0 | 2.0 | 4.3 | 3.5 | 2.2 | 2.0 | 4.5 |
| FM0380M6G0132 | NEMA 48C              | 3      |     | 6.8 | 12.3 | 0.6 | 9.8  |     | 5.6 | 2.4 | 0.2 | 2.5 |     | 8.9 | 6.2 | 6.7 | 5.4 | 1.0 | 2.8 | 2.5 | 4.3 | 3.0 | 2.2 | 2.0 | 4.5 |
| FM0579M6G0135 | NEMA 56C Face mounted | 1      | 0.4 |     | 12.7 | 0.6 | 10.5 | 7.1 | 6.0 | 2.4 | 0.2 | 2.2 | 7.7 | 7.7 |     |     | 1.4 |     |     |     |     | 2.2 | 2.0 | 5.9 |     |
| FM0579M6G0133 | NEMA 56C              | 2      |     | 7.8 | 12.7 | 0.6 | 10.2 |     | 6.0 | 2.4 | 0.2 | 2.5 |     |     | 7.0 | 7.0 | 5.4 | 1.0 | 3.0 | 2.8 | 4.3 | 3.5 | 2.2 | 2.0 | 4.5 |
| FM0379M6G0135 | NEMA 56C Face mounted | 1      | 0.4 | 7.0 | 12.7 | 0.6 | 10.5 | 7.2 | 6.0 | 2.4 | 0.2 | 2.2 | 6.7 | 9.2 |     |     | 1.4 |     |     |     |     | 2.2 | 2.0 | 5.9 |     |
| FM0379M6G0133 | NEMA 56C              | 2      |     | 7.8 | 12.7 | 0.6 | 10.2 |     | 6.0 | 2.4 | 0.2 | 2.5 |     | 9.3 | 7.0 | 7.0 | 5.4 | 1.0 | 3.0 | 2.8 | 4.9 | 3.5 | 2.2 | 2.0 | 4.5 |
| FM0376M6G0135 | NEMA 56C Face mounted | 1      | 0.4 | 7.0 | 13.5 | 0.6 | 11.3 | 7.2 | 6.8 | 2.4 | 0.2 | 2.2 | 6.7 | 9.2 |     |     | 1.4 |     |     |     |     | 2.2 | 2.0 | 5.9 |     |
| FM0376M6G0133 | NEMA 56C              | 2      |     | 7.8 | 13.5 | 0.6 | 10.9 |     | 6.8 | 2.4 | 0.2 | 2.5 |     | 9.3 | 7.0 | 7.0 | 5.4 | 1.0 | 3.0 | 2.8 | 4.9 | 3.5 | 2.2 | 2.0 | 4.5 |
| FM0443M6G0134 | NEMA 56C              | 2      |     | 7.2 | 12.3 | 0.6 | 9.8  |     | 5.6 | 2.4 | 0.2 | 2.5 |     |     | 6.7 | 6.4 | 5.4 | 1.0 | 3.0 | 2.8 | 4.3 | 3.5 | 2.2 | 2.0 | 4.5 |
| FM0443M6G0132 | NEMA 48C              | 3      |     |     | 12.3 | 0.6 | 9.8  |     | 5.6 | 2.4 | 0.2 | 2.5 | 6.9 |     | 6.2 | 6.7 | 5.4 | 1.0 | 2.8 | 2.8 | 4.3 | 3.0 | 2.2 | 2.0 | 4.5 |
| FM0384M6G0135 | NEMA 56C Face mounted | 1      | 0.4 |     | 12.7 | 0.6 | 10.5 | 7.1 | 6.0 | 2.4 | 0.2 | 2.2 | 7.7 | 7.7 |     |     | 1.4 |     |     |     |     | 2.2 | 2.0 | 5.9 |     |
| FM0384M6G0133 | NEMA 56C              | 2      |     | 7.8 | 12.7 | 0.6 | 10.2 |     | 6.0 | 2.4 | 0.2 | 2.5 |     |     | 7.0 | 7.0 | 5.4 | 1.0 | 3.0 | 2.8 | 4.3 | 3.5 | 2.2 | 2.0 | 4.5 |
| FM0385M6G0133 | NEMA 56C              | 2      |     | 7.8 | 12.7 | 0.6 | 10.2 |     | 6.0 | 2.4 | 0.2 | 2.5 |     |     | 7.0 | 7.0 | 5.4 | 1.0 | 3.0 | 2.8 | 4.3 | 3.5 | 2.2 | 2.0 | 4.5 |
| FM0440M6G0134 | NEMA 56C              | 2      |     | 7.1 | 12.3 | 0.6 | 9.8  |     | 5.6 | 2.4 | 0.2 | 2.5 | 6.4 | 9.1 | 6.7 | 6.7 | 5.4 | 1.0 | 3.0 | 2.0 | 4.3 | 3.5 | 2.2 | 2.0 | 4.5 |
| FM0440M6G0132 | NEMA 48C              | 3      |     | 6.8 | 12.3 | 0.6 | 9.8  |     | 5.6 | 2.4 | 0.2 | 2.5 |     | 8.9 | 6.2 | 6.7 | 5.4 | 1.0 | 2.8 | 2.5 | 4.3 | 3.0 | 2.2 | 2.0 | 4.5 |
| FM0439M6G0133 | NEMA 56C              | 2      |     | 7.8 | 12.7 | 0.6 | 10.2 |     | 6.0 | 2.4 | 0.2 | 2.5 |     | 9.3 | 7.0 | 7.0 | 5.4 | 1.0 | 3.0 | 2.8 | 4.9 | 3.5 | 2.2 | 2.0 | 4.5 |
| FM0442M6G0134 | NEMA 56C              | 2      |     | 7.2 | 12.3 | 0.6 | 9.8  |     | 5.6 | 2.4 | 0.2 | 2.5 |     |     | 6.7 | 6.4 | 5.4 | 1.0 | 3.0 | 2.8 | 4.3 | 3.5 | 2.2 | 2.0 | 4.5 |
| FM0442M6G0132 | NEMA 48C              | 3      |     |     | 12.3 | 0.6 | 9.8  |     | 5.6 | 2.4 | 0.2 | 2.5 | 6.9 |     | 6.2 | 6.7 | 5.4 | 1.0 | 2.8 | 2.8 | 4.3 | 3.0 | 2.2 | 2.0 | 4.5 |
| FM0382M6G0133 | NEMA 56C              | 2      |     | 7.8 | 12.7 | 0.6 | 10.2 |     | 6.0 | 2.4 | 0.2 | 2.5 |     |     | 7.0 | 7.0 | 5.4 | 1.0 | 3.0 | 2.8 | 4.3 | 3.5 | 2.2 | 2.0 | 4.5 |
| FM0383M6G0133 | NEMA 56C              | 2      |     | 7.8 | 12.7 | 0.6 | 10.2 |     | 6.0 | 2.4 | 0.2 | 2.5 |     |     | 7.0 | 7.0 | 5.4 | 1.0 | 3.0 | 2.8 | 4.3 | 3.5 | 2.2 | 2.0 | 4.5 |
| FM0386M6G0135 | NEMA 56C Face mounted | 1      | 0.4 | 6.7 | 12.7 | 0.6 | 10.5 | 7.0 | 6.0 | 2.4 | 0.2 | 2.2 |     |     |     |     | 1.4 |     |     |     |     | 2.2 | 2.0 | 5.9 |     |
| FM0386M6G0134 | NEMA 56C              | 2      |     | 7.2 | 12.7 | 0.6 | 10.2 |     | 6.0 | 2.4 | 0.2 | 2.5 |     |     | 6.7 | 6.4 | 5.4 | 1.0 | 3.0 | 2.8 | 4.3 | 3.5 | 2.2 | 2.0 | 4.5 |
| FM0386M6G0132 | NEMA 48C              | 3      |     |     | 12.5 | 0.6 | 10.2 |     | 6.0 | 2.4 | 0.2 | 2.5 | 6.9 |     |     | 6.2 | 5.4 | 1.0 | 3.0 | 2.8 | 4.3 | 3.0 | 2.2 | 2.0 | 4.5 |

Figure 1: NEMA 56C face mounted

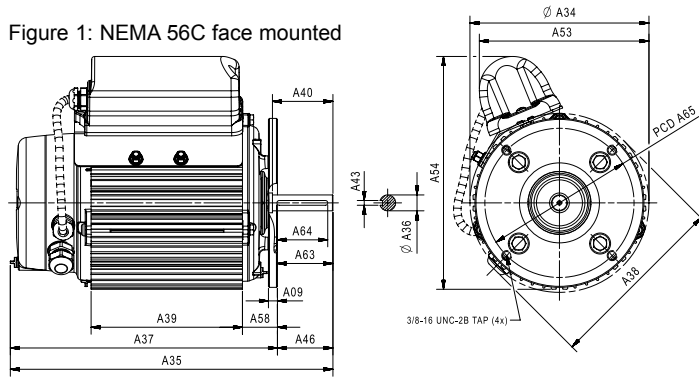


Figure 2: NEMA 56C

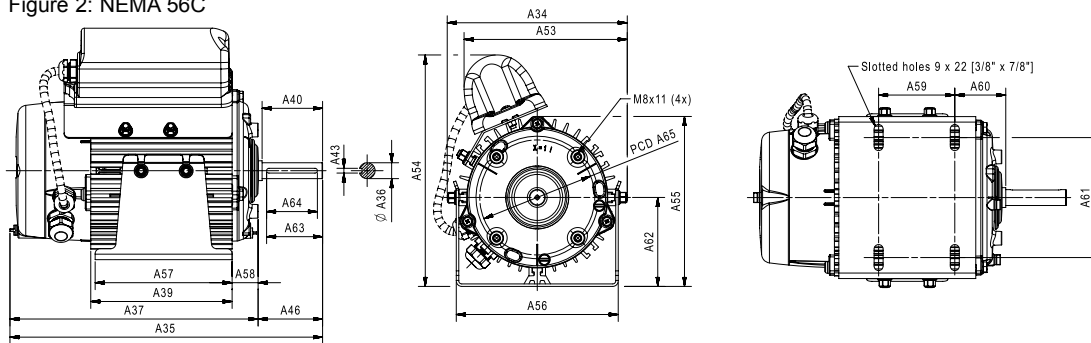
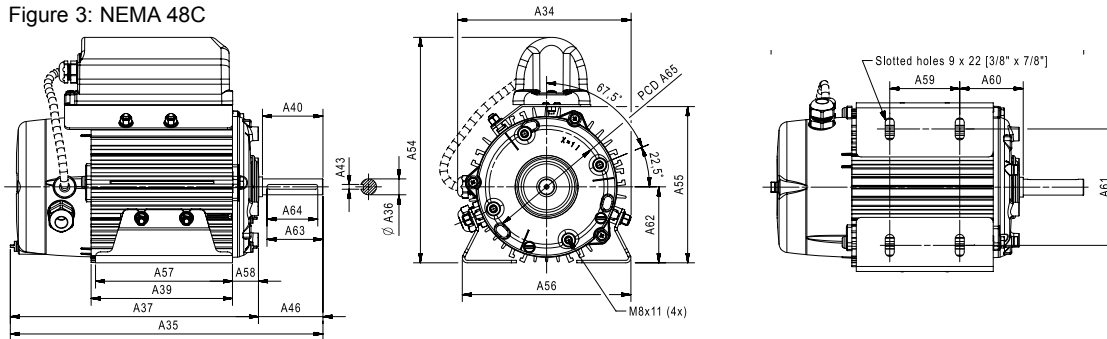


Figure 3: NEMA 48C



**Why choose Vostermans Ventilation:**

**LOYAL TO YOU**

We care for your specific needs based on our long expertise. In close cooperation with you we secure your business outcomes.

**RELIABLE**

Since our foundation in the Netherlands in 1952, we maintain our reputation as reliable partner. Our carefully selected global network of independent distributors strive to deliver you dedicated service and expertise.

**FUTURE PROOF**

Our future proof approach, which combines energy efficiency solutions with robust quality and rigorous testing, is based on a genuine commitment to serve as a trusted partner.

Vostermans Ventilation is a global developer and manufacturer of sustainable axial fans for the agricultural and industrial market. Sustainability is key for Vostermans. Their premium brandlines Multifan and EMI are showcasing the drive for advanced energy efficient fans. The company applies continuous innovation and research in their own motor production facility and in house state of the art R&D department. Vostermans Ventilation, part of Vostermans Companies founded in 1952, is based in Venlo, the Netherlands and operates in USA, China and Malaysia.



YOUR SPECIALIST IN AIR

All rights reserved. Vostermans Companies is not responsible for inaccurate or incomplete data. In case of any questions and / or remarks please contact ventilation@vostermans.com. Subject to alterations 02/2019

Venlo - The Netherlands  
Tel. +31 (0)77 389 32 32  
ventilation@vostermans.com

Bloomington - USA  
Tel. +1 309 827-9798  
ventilation@vostermansusa.com

Tmn Klang Jaya - Malaysia  
Tel. +60 (0)3 3324 3638  
ventilation@vostermansasia.com

Shanghai - China  
Tel. +86 21 5290 2889/2899  
ventilation@vostermanschina.com