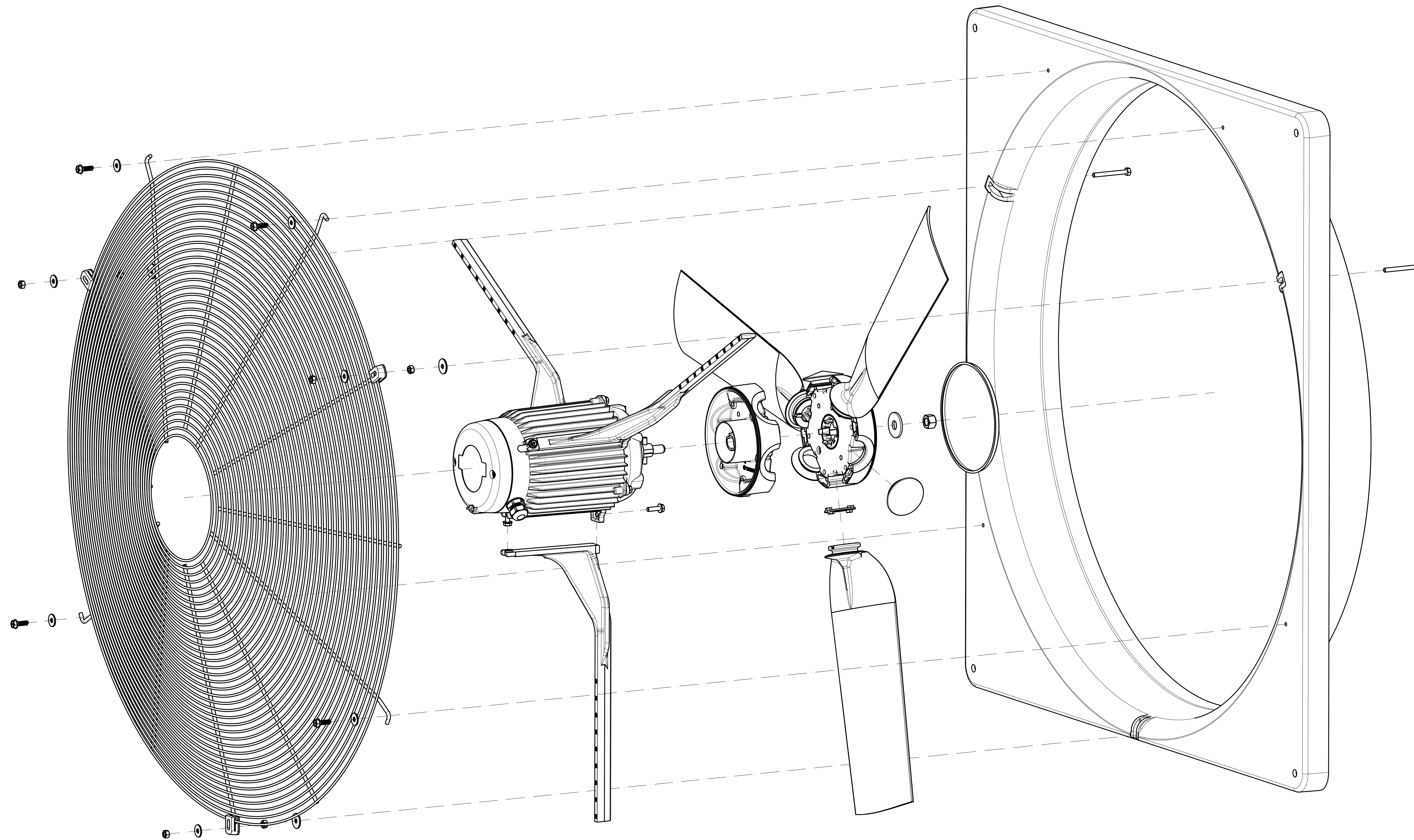
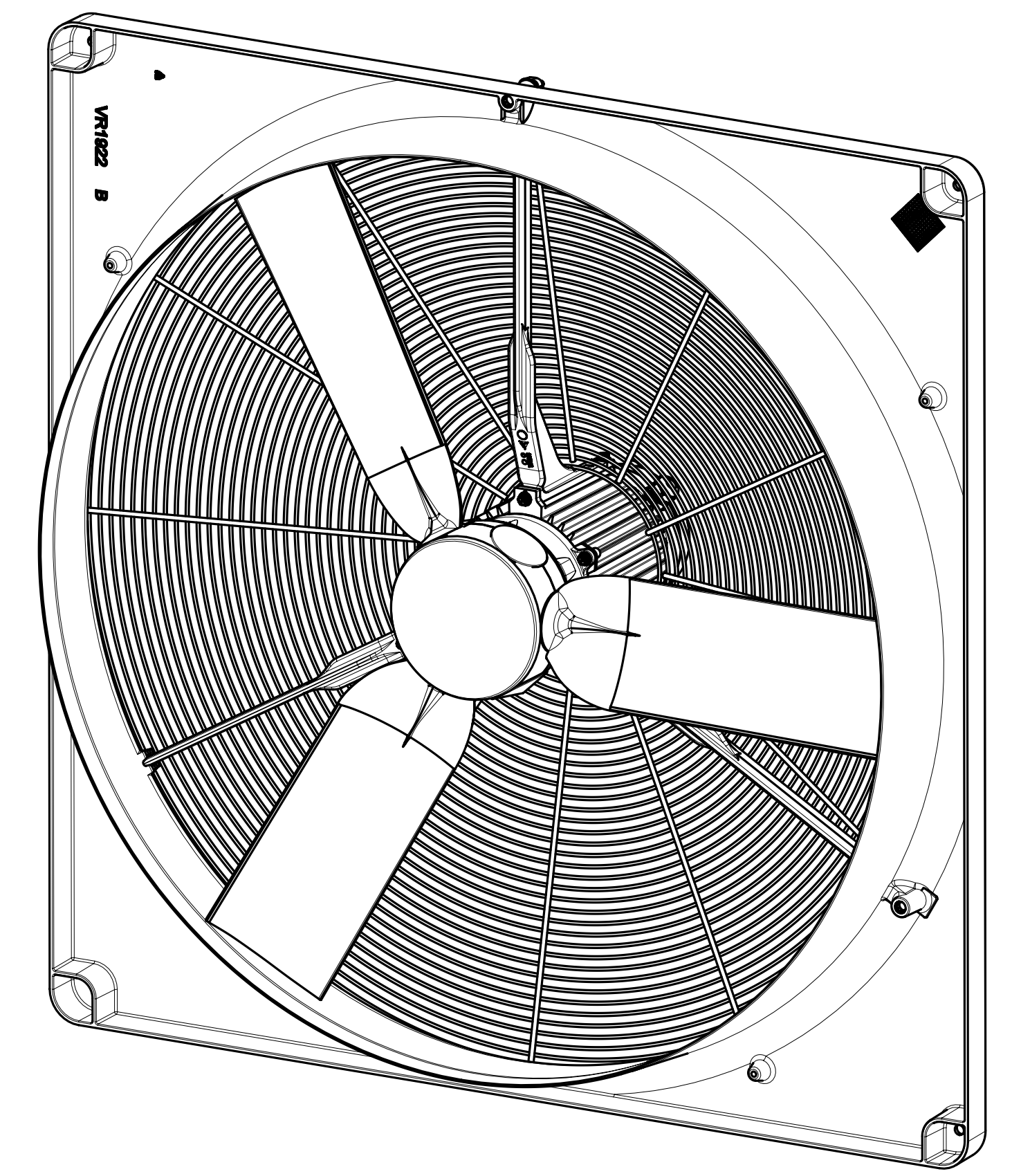
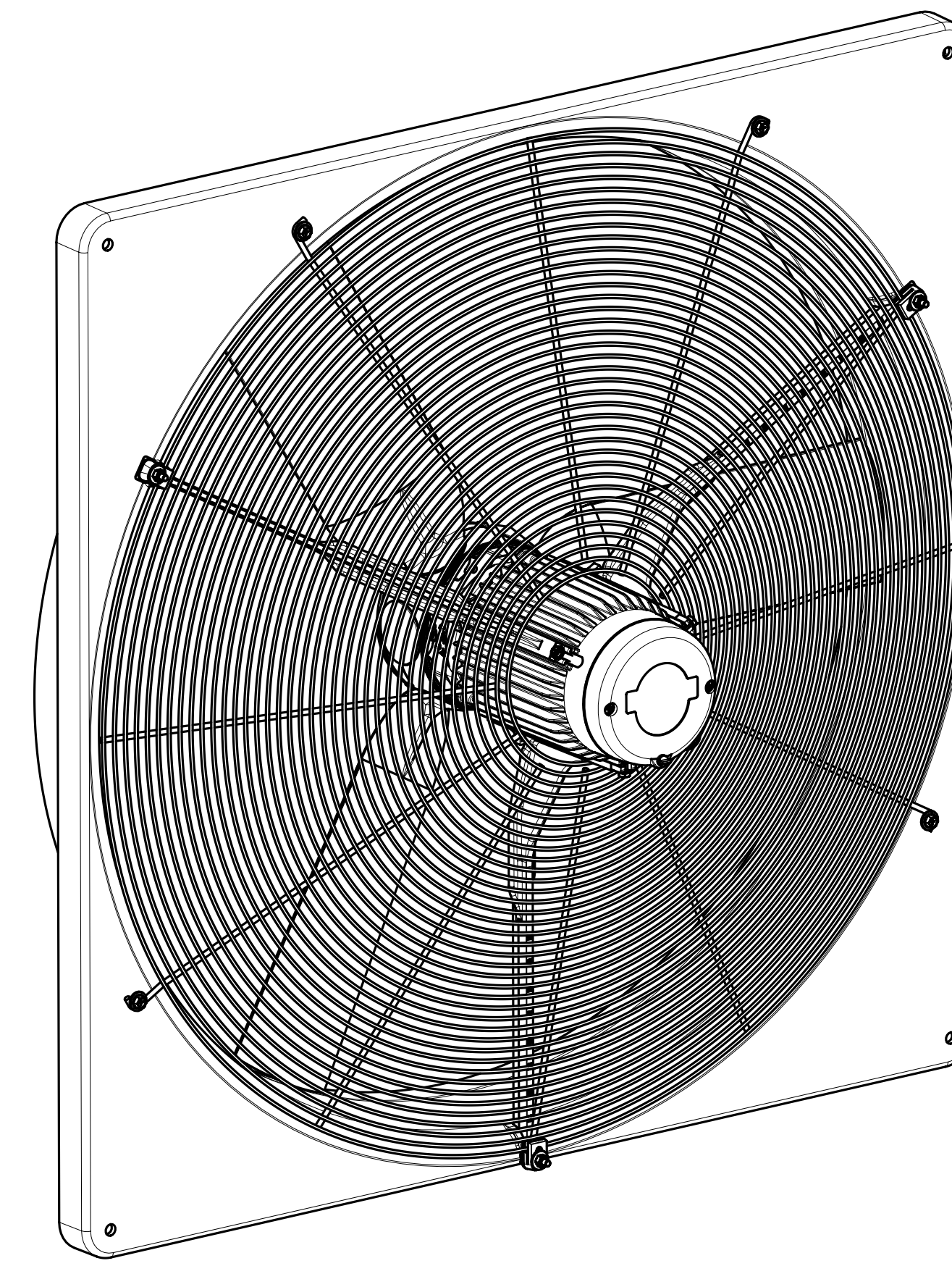


SECTION A-A



0	12-3-2016				
1	17-8-2020				
Mit. no.	Rev.	Date	Init.	Remarks	
Drawn	F. Schuuran				
Date	10-03-2016				
Checked					
General roughness	General tolerance according to ISO 2768-mS	Material	Surface treatment	DWG P1/4	Units mm
Description	Assembly Multifan panelfan 92			Projection 1st Angle	Scale 1:1
Size	A0	Drawing no.	VS1202	Rev.	F