

**Multifan**



# High Pressure Fans

Reliable during high performance



**VOSTERMANS**  
VENTILATION

YOUR SPECIALIST IN AIR

# Multifan High Pressure Fan

## Reliable during high performance

The energy-efficient and quiet High Pressure Fan can provide a stable pressure range up to 400 Pa. Thanks to the use of corrosion-resistant metals and high-tech engineered plastic parts, these fans are highly suitable for usage in extreme environments. As a result, these fans are often used in central exhaust systems, air washers or drying installations. Thanks to the prepared mounting points, our Multifan High Pressure Fans are easy to install both horizontally and vertically.



## Why choose this fan

- Pressure range up to 400 Pa
- Materials resistant to extreme environments
- Easy installation
- Easy maintenance
- 3-year warranty on Multifan motors



## Features

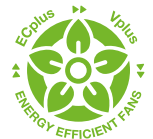
- Available range: 63, 71, 82 and 92 cm
- High level of air movement: up to 39.900 m<sup>3</sup>/h
- Suitable for horizontal or vertical mounting
- IP55 motor (water and dust resistant)
- Aerodynamic inlet radius for optimal air performance
- Frequency controllable

## Applications

- Agricultural: Pigs, Poultry
- Industrial
- Exhaust systems: air washers and filters
- Drying systems: potatoes, onions and wood

## Options available

- CE-wire guards
- ECplus technology for more efficiency



High Pressure Fan range 92, 82, 71 and 63 cm

ECplus technology for more efficiency



## ECplus technical data three-phase

Article	ø (cm)	Power supply			(n) RPM	P <sub>in</sub> (W)	I <sub>nom</sub> (A)		Q <sub>v</sub> (m³/h)								SFP @0Pa (W/1000m³/h)	dB(A)*	Control options**
		~	V	Hz			Δ	Y	0 Pa	50 Pa	100 Pa	150 Pa	200 Pa	250 Pa	300 Pa	350 Pa			
H4D6352M10500	63	3	230 / 400	50	1.450	1.700	2,6		18.500	17.600	16.800	15.700	14.300	-	-	-	91,9	72	F
H4D7151M10500	71	3	230 / 400	50	1.450	1.800	2,8		22.200	20.900	19.500	17.800	15.700	-	-	-	81,1	71	F
H6D82E0M10500	82	3	230 / 400	50	975	2.000	3,2		23.900	21.700	19.700	16.400	-	-	-	83,7	67	F	
H6D82F1M10500	82	3	230 / 400	50	975	2.650	4,3		26.800	25.200	23.500	21.300	-	-	-	99,6	-	F	
H6D82G1M10500	82	3	230 / 400	50	1.000	3.400	5,4		29.400	27.800	26.100	24.000	20.400	-	-	-	115,4	-	F
H4D82F1M10500	82	3	230 / 400	50	1.490	2.950	4,7		30.100	28.000	25.800	23.500	21.100	18.100	-	-	98,0	-	F
H4D82F0M10500	82	3	230 / 400	50	1.490	2.250	3,6		25.700	24.500	23.300	21.900	20.200	18.300	15.500	-	87,5	74	F
H6D92E0M10500	92	3	230 / 400	50	990	1.750	2,8		27.400	25.700	23.000	19.300	-	-	-	63,9	69	F	
H6D92F1M10500	92	3	230 / 400	50	975	2.300	3,9		31.900	29.800	27.700	25.200	20.500	-	-	-	72,8	-	F
H6D92G1M10500	92	3	230 / 400	50	1.000	3.300	5,2		35.000	33.700	31.900	30.100	27.700	-	-	-	93,5	-	F
H6D92H1M10500	92	3	230 / 400	50	975	4.400	6,9		40.300	38.200	35.800	33.200	30.200	-	-	-	109,4	-	F

## Technical data three-phase

Article	ø (cm)	Power supply			(n) RPM	P <sub>in</sub> (W)	I <sub>nom</sub> (A)		Q <sub>v</sub> (m³/h)								SFP @0Pa (W/1000m³/h)	dB(A)*	Control options**
		~	V (Δ / Y)	Hz			Δ	Y	0 Pa	50 Pa	100 Pa	150 Pa	200 Pa	250 Pa	300 Pa	350 Pa			
H6D6303M10100	63	3	230 / 400	50	975	1.000	5,0	2,9	15.600	14.400	12.600	-	-	-	-	-	64,1	62	F
H4D6302M10100	63	3	230 / 400	50	1.450	1.650	5,6	3,2	19.100	18.200	17.100	16.100	14.700	-	-	-	86,4	71	F
H6D7102M10100	71	3	230 / 400	50	955	1.650	6,1	3,5	22.300	20.400	18.200	14.100	-	-	-	74,0	67	F	
H4D7101M10100	71	3	230 / 400	50	1.450	1.750	5,6	3,3	22.100	20.700	19.300	17.800	16.000	13.100	-	-	79,2	71	F
H6D82A1M10100	82	3	230 / 400	50	955	1.700	6,2	3,6	23.300	21.800	20.200	17.700	-	-	-	73,7	68	F	
H6D82B0M10100	82	3	230 / 400	50	970	2.500	8,8	5,1	26.400	25.100	23.500	21.400	17.800	-	-	-	94,7	67	F
H6D82C0M10100	82	3	230 / 400	50	975	2.850	10,5	6,1	28.100	26.500	24.700	22.500	19.100	-	-	-	101,4	67	F
H4D82B0M10100	82	3	230 / 400	50	1.450	1.950	6,6	3,9	25.000	23.800	22.500	20.900	19.100	16.900	-	-	78,0	74	F
H4D82B1M10100	82	3	230 / 400	50	1.440	2.450	7,7	4,5	29.200	27.500	25.700	23.700	21.000	17.200	-	-	83,9	72	F
H4D82D0M10100	82	3	230 / 400	50	1.470	3.700	12,5	7,3	29.600	28.700	27.800	26.900	25.900	24.800	23.500	21.700	125,0	76	F
H6D92A0M10100	92	3	230 / 400	50	965	1.450	5,7	3,3	26.500	24.800	22.800	19.800	-	-	-	54,7	69	F	
H6D92B0M10100	92	3	230 / 400	50	980	2.100	7,8	4,5	31.300	29.300	27.300	24.700	20.200	-	-	-	67,1	67	F
H6D92C0M10100	92	3	230 / 400	50	955	2.850	10,5	6,1	33.500	32.100	30.500	28.600	25.900	-	-	-	85,1	69	F
H6D92D0M10100	92	3	230 / 400	50	980	3.900	15,5	8,8	38.700	37.000	35.100	32.800	29.800	-	-	-	100,8	67	F
H6D92L0M10100	92	3	240 / 420	60	1.175	2.000	6,6	3,8	30.500	29.100	26.800	24.400	-	-	-	65,6	-	F	
H6D92N0M10100	92	3	230 / 400	60	1.170	4.050	13,5	7,7	39.900	38.300	36.600	34.800	32.500	29.500	25.800	-	101,8	-	F

\* Sound pressure level (LpA) at 7 meter distance from the center of the fan

\*\* Transformer Voltage Control (T), Frequency Control (F), Electronic / Triac / Solid State Voltage Control (E)

## Dimensions (mm)

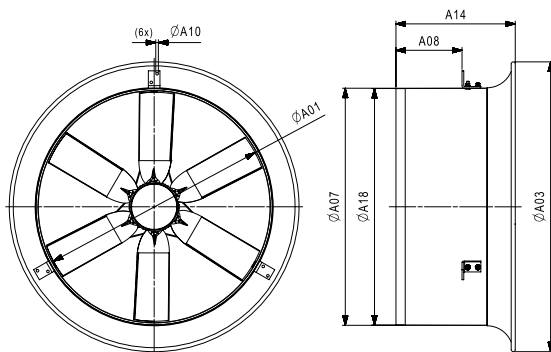


Image 1

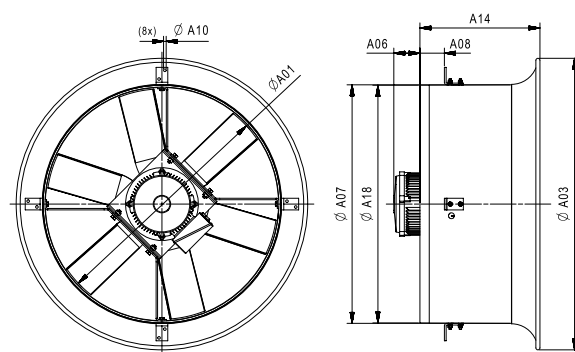


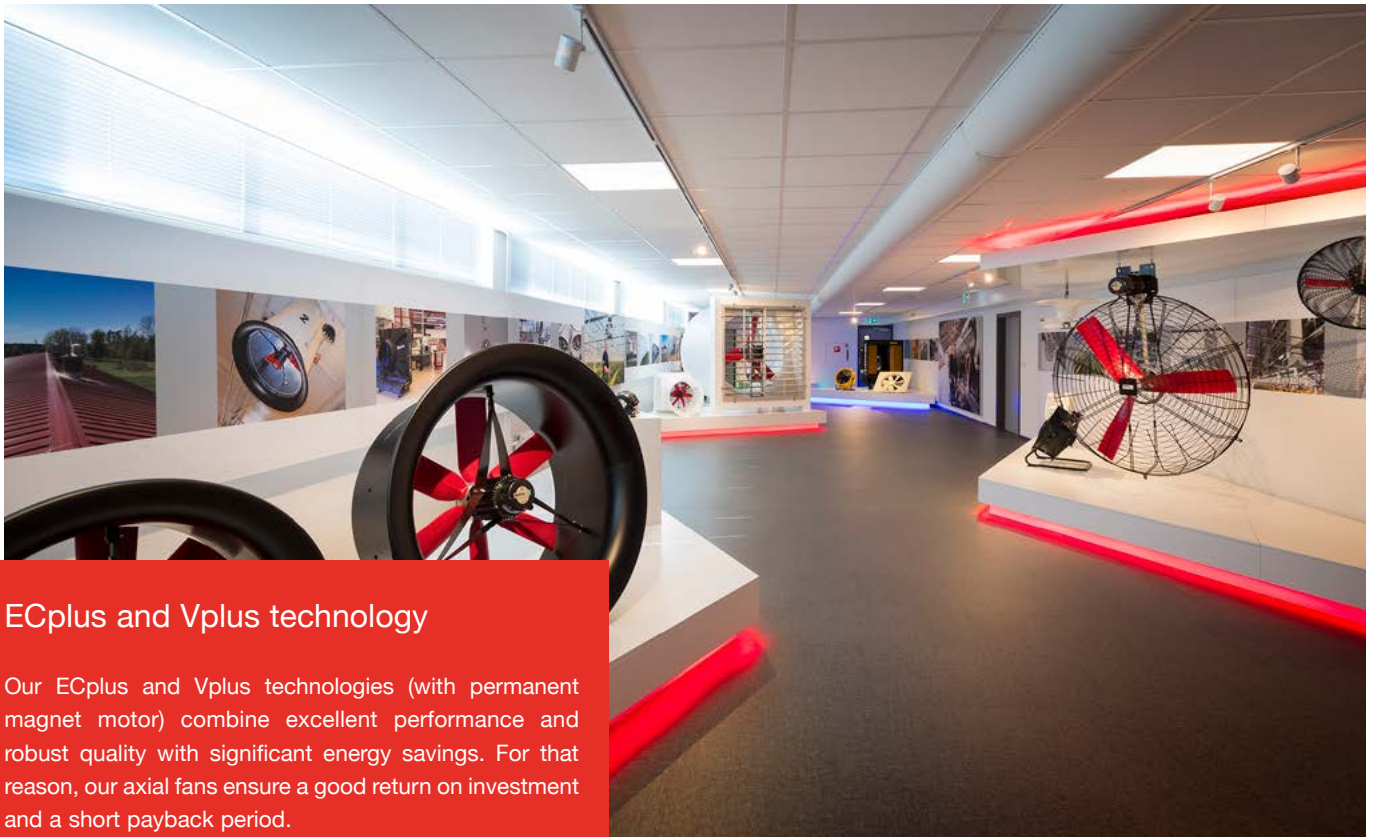
Image 2

ø (cm)	Image	A01	A03	A06 max.	A07	A10	A14	A18
63	1	640	864		715	7	410	710
71	1	720	974		795	7	510	790
82	1	790	1000		818	9	412	880
82	2	790	1000	132	818	9	412	880
92	1	900	1116		931	9	412	929
92	2	900	1116	132	931	9	412	929

**Save more energy**

Our standard fans are also available in extra an energy-efficient variant. With the help of the MFD frequency controller, it is possible to lower the speed of these fans on a continuous scale. For every 20% reduction in speed, the fan’s energy consumption is halved. To provide optimum protection for the sensitive electronics

inside a controller, the fan is placed in a separate housing with at least IP65 protection class. This is essential to safeguard reliability in even the most extreme environments.



**ECplus and Vplus technology**

Our ECplus and Vplus technologies (with permanent magnet motor) combine excellent performance and robust quality with significant energy savings. For that reason, our axial fans ensure a good return on investment and a short payback period.

**Why choose Vostermans Ventilation:**

**LOYAL TO YOU**

We care for your specific needs based on our long expertise. In close cooperation with you we secure your business outcomes.

**RELIABLE**

Since our foundation in the Netherlands in 1952, we maintain our reputation as reliable partner. Our carefully selected global network of independent distributors strive to deliver you dedicated service and expertise.

**FUTURE PROOF**

Our future proof approach, which combines energy efficiency solutions with robust quality and rigorous testing, is based on a genuine commitment to serve as a trusted partner.

Vostermans Ventilation is a global developer and manufacturer of sustainable axial fans for the agricultural and industrial market. Sustainability is key for Vostermans. Their premium brandlines Multifan and EMI are showcasing the drive for advanced energy efficient fans. The company applies continuous innovation and research in their own motor production facility and in house state of the art R&D department. Vostermans Ventilation, part of Vostermans Companies founded in 1952, is based in Venlo, the Netherlands and operates in USA, China and Malaysia.



YOUR SPECIALIST IN AIR

All rights reserved. Vostermans Companies is not responsible for inaccurate or incomplete data. In case of any questions and / or remarks please contact ventilation@vostermans.com. Subject to alterations 04/2023

Venlo - The Netherlands  
Tel. +31 (0)77 389 32 32  
ventilation@vostermans.com

Bloomington, IL- USA  
Tel. +1 309 827-9798  
ventilation@vostermansusa.com

Tmn Klang Jaya - Malaysia  
Tel. +60 (0)3 3324 3638  
ventilation@vostermansasia.com

Shanghai - China  
Tel. +86 21 5290 2889/2899  
ventilation@vostermanschina.com