

Accessories: Butterfly Shutter

Higher air volume, easier to maintain

Our Butterfly Shutter improves performance at low stable pressure, and makes periodic fan maintenance even easier. The shutter provides less resistance and therefore a higher air volume compared to standard shutters. In addition, the vertical position of this shutter makes it less susceptible to attracting dust. The Butterfly Shutter has been popular for years with Straight Wall fans and is now also available for our 140 cm Galvanized Cone Fan. This fan is known for its high performance and extreme durability.



Why choose this accessory

- No dust accumulation on the shutter
- Easier to clean
- Higher performance at low stable pressure
- Developed and tested in our R&D department. The Butterfly Shutter therefore fits seamlessly with the fan.
- Available both semi-assembled and unassembled

Features

- Available for the 140cm Galvanized Cone Fan
- Can be used up to 40Pa
- For 50Hz and 60Hz, 3~ fans
- Made of galvanized steel
- No additional electronics required for opening the shutter
- Only available with complete fan
- Also tested on the more energy efficient ECplus fans

Technical data

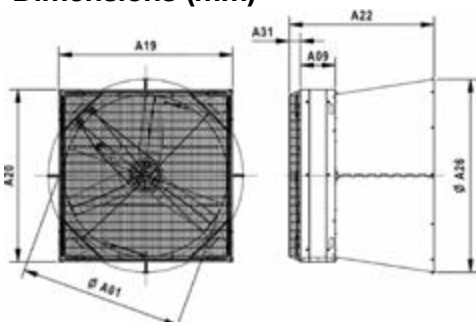
Article	ø (cm)	Power supply			(n) RPM	P _{in} (W)	I _{nom} (A)		Q _v (m³/h)		SFP @0Pa (W/1000m³/h)	Control options*
		~	V (Δ / Y)	Hz			Δ	Y	0 Pa	30 Pa		
G4D14A0M11374	140	3	230/400	50	535	1.550	5,5	3,2	49.700	44.900	30,9	-
G4D14A1M11374	140	3	230/400	50	545	1.550	5,5	4,2	55.600	47.500	27,8	-
G4D14A2M11374	140	3	230/400	50	505	960	4,6	2,7	44.200	36.200	21,6	-
G4D14A3M11374	140	3	230/400	50	545	1.500	5,3	3,1	55.700	47.400	27	F
G4D14K0M11374	140	3	230/400	60	595	1.600	5	2,9	44.000	39.600	36,2	-
G4D14K1M11374	140	3	230/400	60	600	1.400	4,6	2,7	52.400	45.800	27,1	-
G4D14K2M11374	140	3	230/400	60	505	950	3,6	2,1	44.400	36.400	21,4	-
G4D14K3M11374	140	3	230/400	60	540	1.100	3,9	2,3	47.100	39.700	23,4	-
G4D14L2M11374	140	3	230/400	60	595	1.350	4,7	2,7	51.700	45.200	26,4	F

ECplus technology

G4D14E0M11374FD	140	3	400	50	550	1.600	-	2,5	56.000	47.800	28,3	F
Performance at 80% RPM						970	-	1,6	42.400	30.500	22,8	
G4D14M0M11374FD	140	3	400	60	595	1.400	-	2,2	51.900	45.300	27,3	F
Performance at 80% RPM						830	-	1,5	40.500	30.300	20,4	

* Frequency control (F). Please contact our customer support team for other control options.

Dimensions (mm)



A01	A09	A19	A20	A22	A26	A31
1375	295	1480	1480	1232	1657	96