

Multifan



Mobile Fans

Flexibility combined with high performance



VOSTERMANS
VENTILATION

YOUR SPECIALIST IN AIR

Multifan Mobile Fans

Ventilation wherever and whenever you need it

We offer a wide range of Multifan Mobile Fans for various applications. In addition to agricultural and industrial use, their robust construction also makes them highly suitable for commercial events and the rental market.

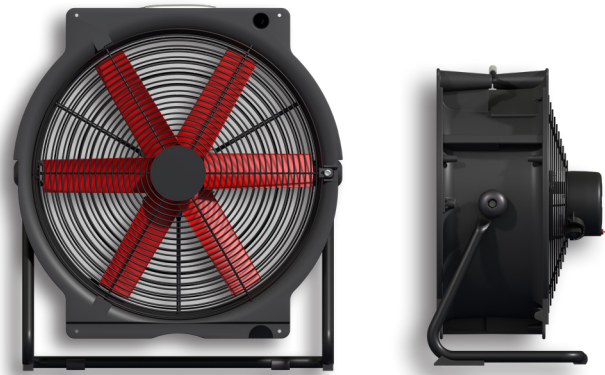
Perfect for drying damp spaces, preventing heat stress, removing dust or odors, or cooling areas for performers and audiences. The possibilities with our powerful Mobile Fans are endless. On top of that, the fans are built to withstand all weather conditions.



Mobile Fans 40 and 50 cm

These portable fans are lightweight and easy to transport. Available in two sizes to meet your needs: do you prefer a more compact design, or a fan that moves more air? We have both!

- Powerful airflow
- 3-steps speed controller
- Cable and plug included



Stage Fans 40 and 50 cm

Hiding a fan on stage in a dark corner so no one notices it? You can, with the fully black Stage Fan. The ideal way to keep performers cool on stage without drawing any attention.

- All-black design
- 3-steps speed controller
- Cable and plug included

Tramontana

The Multifan Tramontana combines high performance with high flexibility in transport, maneuvering and positioning. Ideal to use as backup ventilation in case of unexpected or extreme circumstances.

- Positioning flexibility: can be tilted upwards (max. 18°) and downwards (max. 10°)
- Infinitely variable speed control
- Cable and plug included



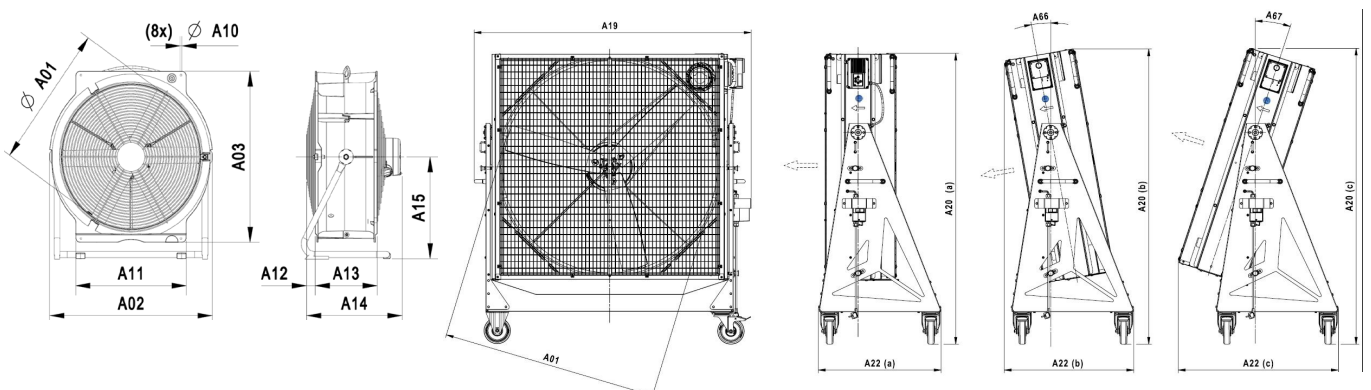


Technical data

Article	ø (cm)	Power supply			(n) RPM	P _{in} (W)	I _{nom} (A)	Q _v (m³/h)	SFP @ 0Pa (W/1000m³/h)	dB(A)*	Control options
		~	V	Hz							
Mobile Fans											
B4E40ABM11108	40	1~	230V	50Hz	1.410	250	1,2	5.150	48,5	60	3-step triac
B4E50ABM11108	50	1~	230V	50Hz	1.425	320	1,5	7.350	43,5		3-step triac
Stage Fans											
B4E40ACM11108	40	1~	230V	50Hz	1.410	250	1,2	5.150	48,5	60	3-step triac
B4E50ACM11108	50	1~	230V	50Hz	1.425	320	1,5	7.350	43,5		3-step triac
Tramontana											
B4D13A2M110MFD	130	1~	230V	50/60Hz	415	650	4,6	31.100	20,9	49	Frequency

* Sound pressure level calculated at 7 meter free blowing distance.

Dimensions (mm)



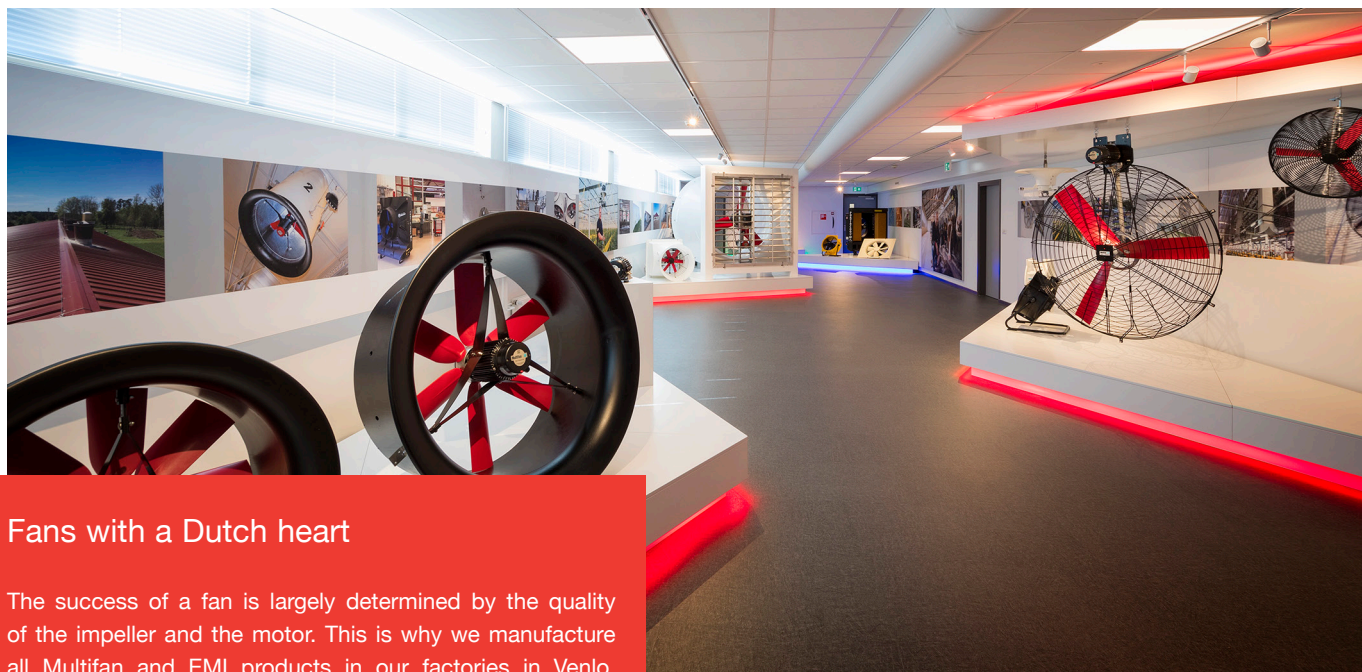
Mobile Fans and Stage Fans									
ø (cm)	A01	A02	A03	A10	A11	A12	A13	A14	A15
40	420	515	520	6,5	365	37	216	358	304
50	518	620	620	6,5	420	33	236	365	369

Tramontana										
ø (cm)	A01	A19	A20			A22			A66	A67
			(a) 0°	(b) 9°	(c) 18°	(a) 0°	(b) 9°	(c) 18°		
130	1284	1671	1784	1810	1815	742	781	967	10°	0° / 9° / 18°

Service

As a family business, we believe it is important to build long-term relationships with our customers. That is why we attach great importance to our customers being helped quickly and effectively when a problem arises. The QR code on the back of the fan motor is an ideal tool for this. By scanning this QR code, you get insight into the most important fan specifications and a list of spare parts.

In addition, we offer many extras online to support you. This includes specific product information and our online product selector, in which you can select the right fan for your specific situation. You can always contact us via www.vostermans.com/contact with questions, or follow us through our social media channels to stay up to date with the latest news.



Fans with a Dutch heart

The success of a fan is largely determined by the quality of the impeller and the motor. This is why we manufacture all Multifan and EMI products in our factories in Venlo, the Netherlands. It also allows us to further develop the manufacturing process efficiently and guarantee the highest quality standards. Due to our global presence we are able to keep the price of our fans as competitive as possible for any region.

Why choose Vostermans Ventilation:

LOYAL TO YOU

We care for your specific needs based on our long expertise. In close cooperation with you we secure your business outcomes.

RELIABLE

Since our foundation in the Netherlands in 1952, we maintain our reputation as reliable partner. Our carefully selected global network of independent distributors strive to deliver you dedicated service and expertise.

FUTURE PROOF

Our future proof approach, which combines energy efficiency solutions with robust quality and rigorous testing, is based on a genuine commitment to serve as a trusted partner.

Vostermans Ventilation is a global developer and manufacturer of sustainable axial fans for the agricultural and industrial market. Sustainability is key for Vostermans. Their premium brandlines Multifan and EMI are showcasing the drive for advanced energy efficient fans. The company applies continuous innovation and research in their own motor production facility and in house state of the art R&D department. Vostermans Ventilation, part of Vostermans Companies founded in 1952, is based in Venlo, the Netherlands and operates in USA, China and Malaysia.



YOUR SPECIALIST IN AIR

All rights reserved. Vostermans Companies is not responsible for inaccurate or incomplete data. In case of any questions and / or remarks please contact ventilation@vostermans.com. Subject to alterations 02/2026

Venlo - The Netherlands
Tel. +31 (0)77 389 32 32
ventilation@vostermans.com

Bloomington, IL- USA
Tel. +1 309 827-9798
ventilation@vostermansusa.com

Tmn Klang Jaya - Malaysia
Tel. +60 (0)3 3324 3638
ventilation@vostermansasia.com

Shanghai - China
Tel. +86 21 5290 2889
ventilation@vostermanschina.com

www.vostermans.com