

Multifan



High Pressure Fan

Rely on high performance



VOSTERMANS
VENTILATION

YOUR SPECIALIST IN AIR

Multifan High Pressure Fan

Rely on high performance

We introduce a new high pressure fan line for the increasing amount of applications in agricultural markets. Depending on the application a pressure range up to 400 Pa can now be selected. Our Totally Enclosed Air Over (TEAO) motors are selected for their durability, efficiency and reliability in agricultural markets worldwide, especially in the aggressive climate environment of pig and poultry houses. With the offered impeller-motor combinations your costs of operation are reduced to the lowest levels.



Why choose this fan?

- Energy efficient IE2 or IE3 fan motors
- High level of air movement: up to 38.700 m³/h at 0 Pa
- Pressure range up to 400 Pa
- Materials resistant to extreme corrosive environments
- Easy installation and maintenance

Features

- Available range: 63, 71, 82 and 92 cm
- Motor performance: 1.5 to 4 kW
- For horizontal or vertical mounting
- Water and dust resistant fan motor (IP55)
- Aerodynamic inlet radius for optimal air performance
- Frequency controllable

Optional available

- Wire guards in accordance with CE-standards
- ECplus technology for more efficiency
- Override switch for ECplus technology

Applications

- Agricultural: Pig and Poultry
- Industry
- Exhaust systems: air washers and filters
- Drying systems: Potatoes, onions and wood

Save more energy with our ECplus technology

With the ECplus technology we combine excellent performance and robust quality with high energy savings up to 80% (IFIP, 2015). The ECplus controller enables a smooth and precise ventilation system. We know the reliability of the fan is for most of our customers a key aspect. With the optional override switch the fan can be switched manually to 100% ventilation in case of emergency.

Please, contact your dealer or our Vostermans Ventilation team for more options or more technical details.



High Pressure Fan available in 63, 71, 82 and 92 cm

ECplus, for high energy savings



“Farmers need certainty and proven reliability. Because of our long-term knowledge, we have discovered that Multifan is the top.”

(Thomas Rainey, TR Ventilation, Ireland)

Technical data 3~ 50Hz 230/400V

Diameter (cm)	RPM	Item	Impeller type	P _{in} (W)	I1/I2 (A)	I1/I2 max (A)	Q _v (m ³ /h)								W/1000 m ³ /h 0 Pa	
							0 Pa	50 Pa	100 Pa	150 Pa	200 Pa	250 Pa	300 Pa	350 Pa		400 Pa
82	955	H6D82A0M10100	6D820-8PG-35	1700	6.2 / 3.6	6.9 / 4.0	23300	21800	20200	17700						73.7
82	970	H6D82B0M10100	6D820-8PG-40	2500	8.8 / 5.1	9.3 / 5.4	26400	25100	23500	21400	17800					95.6
82	975	H6D82C0M10100	6D820-8PG-43	2850	10.5 / 6.1	11.0 / 6.3	28100	26500	24700	22500	19100					101.6
82	1440	H4D82B1M10100	4D820-6PG-35	2450	7.7 / 4.5	8.5 / 4.9	29200	27500	25700	23700	21000	17200				84.5
82	1450	H4D82B0M10100	4D820-4PG-25	1950	6.6 / 3.8	7.8 / 4.5	25000	23800	22500	20900	19100	16900				78.7
82	1465	H4D82C0M10100	4D820-6PG-25	2650	8.6 / 5.0	10.0 / 5.8	23800	23200	22400	21700	20900	19700	18200	16000		111.6
82	1470	H4D82D0M10100	4D820-6PG-30	3700	12.5 / 7.3	14.5 / 8.5	29600	28700	27800	26900	25900	24800	23500	21700	18000	124.4
92	955	H6D92C0M10100	6D920-8PG-35	2850	10.5 / 6.1	12.0 / 6.9	33500	32100	30500	28600	25900					85.2
92	965	H6D92A0M10100	6D920-6PG-28	1450	5.7 / 3.3	6.7 / 3.9	26500	24800	22800	19800						55.2
92	980	H6D92B0M10100	6D920-6PG-33	2100	7.8 / 4.5	8.9 / 5.1	31300	29300	27300	24700	20200					67.1
92	980	H6D92D0M10100	6D920-8PG-40	3900	15.5 / 8.8	16.5 / 9.6	38700	37000	35100	32800	29800					100.9

Dimensions

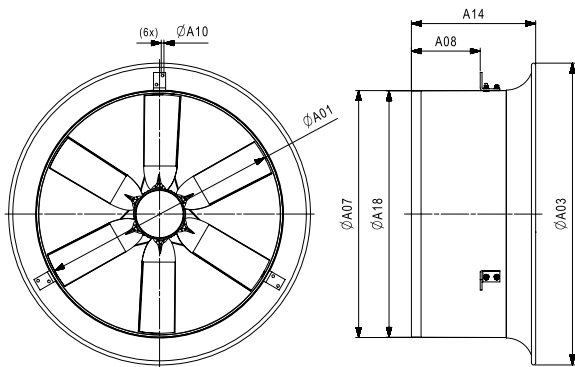


Figure 1

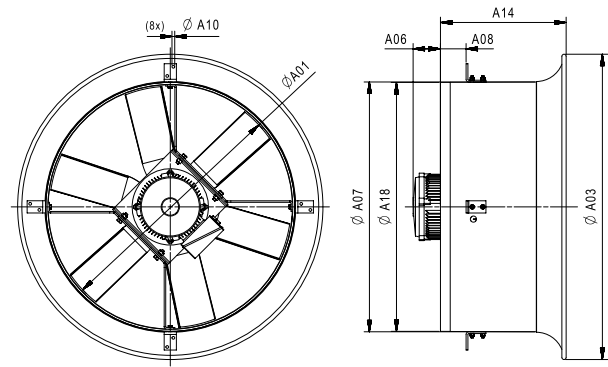


Figure 2

Diameter (cm)	Figure	A01 (mm)	A03 (mm)	A06 max. (mm)	A07 (mm)	A08 (mm)	A10 (mm)	A14 (mm)
63	1	640	864		715	210	7	410
71	1	720	974		795	210	7	510
82	1	790	1000		818	228	9	412
82	2	790	1000	132	818	84	9	412
92	1	900	1116		931	228	9	412
92	2	900	1116	132	931	84	9	412

Why choose Vostermans Ventilation:

LOYAL TO YOU

We care for your specific needs based on our long expertise. In close cooperation with you we secure your business outcomes.

RELIABLE

Since our foundation in the Netherlands in 1952, we maintain our reputation as reliable partner. Our carefully selected global network of independent distributors strive to deliver you dedicated service and expertise.

FUTURE PROOF

Our future proof approach, which combines energy efficiency solutions with robust quality and rigorous testing, is based on a genuine commitment to serve as a trusted partner.

Vostermans Ventilation is a global developer and manufacturer of sustainable axial fans for the agricultural and industrial market. Sustainability is key for Vostermans. Their premium brandlines Multifan and EMI are showcasing the drive for advanced energy efficient fans. The company applies continuous innovation and research in their own motor production facility and in house state of the art R&D department. Vostermans Ventilation, part of Vostermans Companies founded in 1952, is based in Venlo, the Netherlands and operates in USA, China and Malaysia.



YOUR SPECIALIST IN AIR

All rights reserved. Vostermans Companies is not responsible for inaccurate or incomplete data. In case of any questions and / or remarks please contact ventilation@vostermans.com. Subject to alterations 10/2019

Venlo - The Netherlands
Tel. +31 (0)77 389 32 32
ventilation@vostermans.com

Bloomington, IL- USA
Tel. +1 309 827-9798
ventilation@vostermansusa.com

Tmn Klang Jaya - Malaysia
Tel. +60 (0)3 3324 3638
ventilation@vostermansasia.com

Shanghai - China
Tel. +86 21 5290 2889/2899
ventilation@vostermanschina.com